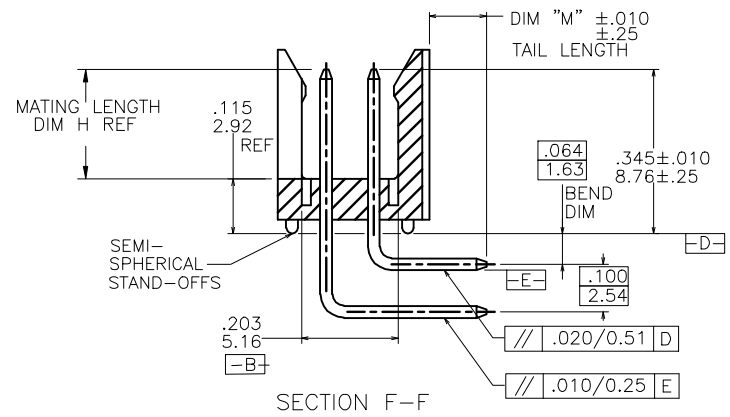
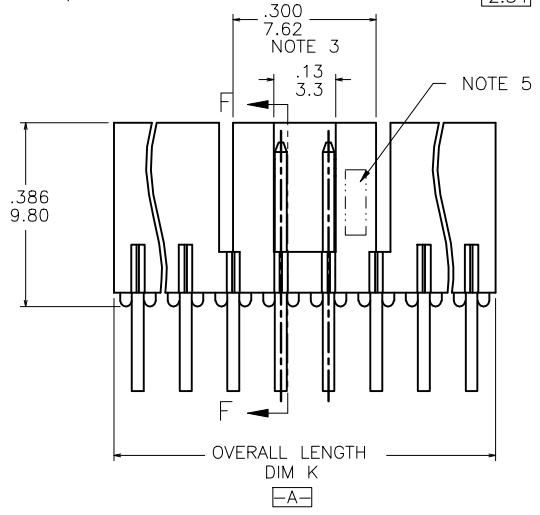
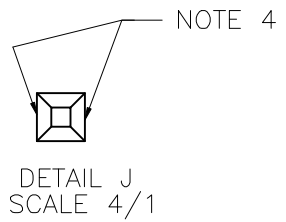
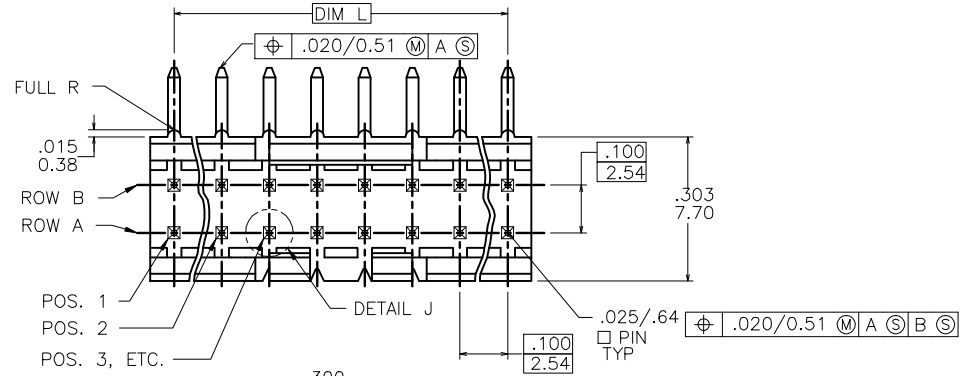


PRODUCT NO.
78207-XYTZHLF

- LEAD FREE OPTION - NOTE 8, 9, 10
- CUSTOMER SPECIALS - NOTE 7
- TUBE PACKAGING OPTION - NOTE 6
- NO. OF POSITIONS
SEE TABLE
- PIN PLATING
BASE P/N



Copyright FCI

mat'l. code				surface	tolerance	projection	product family	
				ISO 1302	ISO 406	ISO 1101	HEADER	
tolerances unless otherwise specified						INCH/MM	title	
ltr	ecn no	dr	date	angles	linear			scale 3:1
K	V71643	HTB	12/04/97		.XX±.01/XX±0.3			
L	V12717	GJP	11/16/01		.XXX±.006/XXX±0.13		FRICION LATCH HEADER DOUBLE ROW, R/A	
M	V03-0352	GJP	03/25/03	0°±2'	.XXX±.0020/XXX±0.05			
N	M05-0134	ERE	06/15/03	dr	S.ROYER	01/21/94	dwg no 78207	
P	M06-0256	ERE	9/07/06	engr	L.FYE	01/21/94		sheet 1 of 2 size A3
R	M08-0023	MHT	1/28/08	chr	L.FYE	01/21/94	type Product Customer Drawing	
S	M08-029	MHT	10/08/08	appd	L.FYE	01/21/94		
sheet	revision	S	S					
index	sheet	1	2					

PRODUCT NUMBER	NO OF POS	MATING LENGTH DIM H	OVERALL LENGTH DIM K	DIM L	TAIL LENGTH DIM "M"
78207-X06	2 X 3	.230/5.84	.300/7.62	.200/5.08	.120/3.05
-X08	2 X 4	.230/5.84	.400/10.16	.300/7.62	
-X10	2 X 5	.230/5.84	.500/12.70	.400/10.16	
-X12	2 X 6	.230/5.84	.600/15.24	.500/12.70	
-X14	2 X 7	.230/5.84	.700/17.78	.600/15.24	
-X16	2 X 8	.230/5.84	.800/20.32	.700/17.78	
-X18	2 X 9	.230/5.84	.900/22.86	.800/20.32	
-X18A	2 X 9	.210/5.33	.900/22.86	.800/20.32	
-X20	2 X 10	.230/5.84	1.000/25.40	.900/22.86	
-X22	2 X 11	.230/5.84	1.100/27.94	1.000/25.40	
-X24	2 X 12	.230/5.84	1.200/30.48	1.100/27.94	
-X26	2 X 13	.230/5.84	1.300/33.02	1.200/30.48	
-X28	2 X 14	.230/5.84	1.400/35.56	1.300/33.02	
78207-X30	2 X 15	.230/5.84	1.500/38.10	1.400/35.56	.120/3.05
78207-X32 THRU 78207-X72		UNAVAILABLE			
78207-X80	2 X 4	.230/5.84	.400/10.16	.300/7.62	.100/2.54

NOTE 7

NOTES:

- MOLDING MAT'L: GLASS REINFORCED PCT OR MINERAL FILLED LCP, COLOR: BLACK
FLAME RETARDANT PER UL 94 V-0
MAXIMUM OPERATING TEMPERATURE: 130° C.
- PIN MATERIAL: 3/4 HD PHOS. BRZ.
- NO SLOTS ON 2 X 5 POSITION OR SMALLER PRODUCT. THE CENTER KEY SLOT WILL BE ON ALL HEADERS REGARDLESS OF SIZE.
- TWO NON-CRITICAL SIDES OF PIN TIP NOT PLATED, BOTH ENDS.
- COMPANY LOGO MAY APPEAR IN THIS AREA.
- "T" ATTACHED TO THE P/N INDICATES PARTS ARE TO BE PACKAGED IN TUBES.
- CUSTOMER SPECIAL -- "A" SUFFIX INDICATES 0.210/5.33 MATING LENGTH.
- ADD "HLF" SUFFIX AT THE END OF PART NUMBER FOR LEAD FREE OPTION, NOT AVAILABLE FOR -5YY, -5YYH, -6YY & -6YYH.
- PART NUMBERS WITH "H" SUFFIX WILL WITHSTAND EXPOSURE TO 260°C PEAK TEMPERATURE FOR 20 SECONDS IN WAVE SOLDER, INFRA-RED OR VAPOR PHASE SOLDER PROCESS.

PART NUMBERS WITHOUT "H" SUFFIX WILL WITHSTAND EXPOSURE TO 260°C PEAK TEMPERATURE FOR WAVE SOLDER PROCESS.
- THIS PRODUCT MEETS EUROPEAN UNION DIRECTIVES AND OTHER COUNTRY REGULATION AS DESCRIBED IN GS-22-008.
- PLATING OPTIONS:
MAY BE EITHER GOLD OR GXT PLATED AT MANUFACTURER'S OPTION.
- "THIS PRODUCT HAS 100% TIN PLATING IN THE INTERFACE AND HAS NOT BEEN TESTED FOR WHISKER GROWTH IN ALL INTERCONNECT ENVIRONMENTS."

PIN PLATING CODES

-1YY	30u"/.76u (SEE NOTE 11) 50u"/1.27u Ni
-2YY	15u/.38u (SEE NOTE 11) 50u"/1.27u Ni
-3YY	50u"/1.27u Au 50u"/1.27u Ni
-4YY	100u"/2.54u MIN Sn 50u"/1.27u Ni (SEE NOTE 12)
-4YYHLF	
-5YY	15u"/.38u (SEE NOTE 11) 50u"/1.27u Ni
-6YY	30u"/.76u (SEE NOTE 11) 50u"/1.27u Ni
-7YY	30u"/.76u Au OVER 50u"/1.27u Ni
-8YY	15u"/.38u Au OVER 50u"/1.27u Ni

mat'l. code		surface ISO 1302	tolerance ISO 406 ISO 1101	projection	product family HEADER
ltr	ecn no	dr	date	title FRICITION LATCH HEADER DOUBLE ROW, R/A	
S				INCH/MM	scale 3:1
					dwg no 78207
					sheet 2 of 2 size A3
					type Product Customer Drawing
sheet index	revision sheet				



Copyright FCI